

# Bluetooth adapter

BT-02



BT-02

## PRODUCT INTRODUCTION

It is suitable for the bluetooth module of our company's solar controller to expand the bluetooth communication function. With the mobile phone APP, the wireless monitoring and data interaction functions of the system can be realized.

## MAIN FEATURE

1. Realize the wireless monitoring and control function of the solar controller
2. Support mobile APP, plug and play, easy to set up
3. Integrated high-speed core, ultra-low-power Bluetooth dedicated chip
4. Using Bluetooth BLE4.2 technology control module, high stability, convenient connection and fast speed
5. No external power supply is required, and the power is directly supplied by the communication port

## APPEARANCE INTRODUCTION



## INDICATOR LIGHT DESCRIPTION

indicator light	state	illustrate
Link indicator light	flashing blue	in normal operation
	extinguished	idle state
Power indicator light	Steady green	normal power supply
	flashing or off	Abnormal power supply

## CONNECTION INSTRUCTIONS

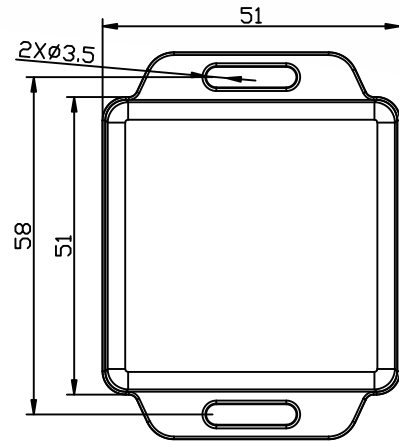
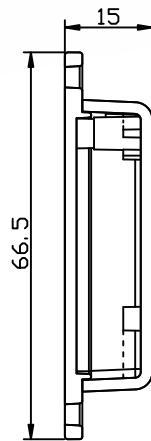


## PRODUCT SIZE

Product number: BT-02

Product Size: 66.5\*51\*15.5

Mounting Aperture:  $\phi 3.5$



## TECHNICAL PARAMETER

PRODUCT NUMBER	BT-02
Input voltage	4.5V-5.5V (maximum support 12V)
Standby power consumption	0.04W
Running power consumption	0.05W
Working current peak	30mA
Communication distance	$\leq 15\text{m}$
Serial port baud rate	Fixed baud rate 9600bps
communication method	RS485
Interface Type	RJ45
connecting line	Standard network cable (parallel cable)
size	66.5*51*15.5
Installation size	57.8*12mm
Mounting Aperture	$\phi 3.5$
Operating temperature	-40°C~75°C
Working humidity	10%~90% RH(Does not condense)
Protection class	IP 31
net weight	55g